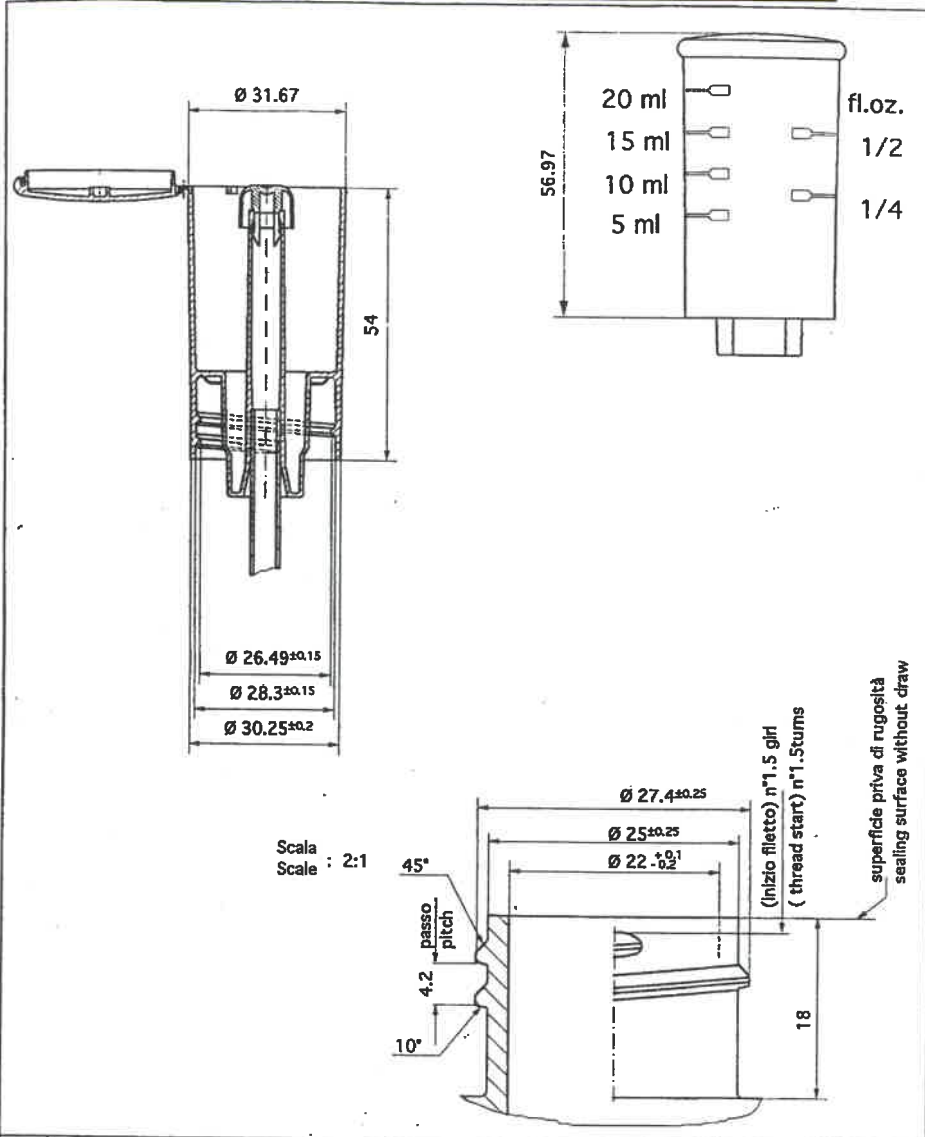


ATTENTION:

FIDEL FILLAUD garantit au client la fonctionnalité des éléments constituant l'emballage vendu. Il appartient au client d'en vérifier la compatibilité physique et chimique avec ses produits dans les conditions usuelles de remplissage, stockage et transport. FIDEL-FILLAUD ensures the functionality of the packaging components sold under our quality. It is the responsibility of the customer to check the physical and chemical compatibility with his products, in the usual conditions of filling, storage and transport.



N°	MODIFICA / REVISION		VERIFICA/VERIFY	DATA/DATE
THIS DRAWING IS PROPERTY OF		DENOMINAZIONE / DENOMINATION		ART.
		DOSATORE PER LIQUIDI COLLO STD. 28/410 SQUEEZE DOSING DEVICE NECK STD. 28/410		512/410
DIS. N° FILE N°	512/410	MATERIALE MATERIAL	PP C	PESO WEIGHT
				8.6 g
SCALE:		SCALE:		1:1
DIS. DA DRAWN BY	MG	DATA DATE	12/12/94	
LA RIPRODUZIONE E LA REALIZZAZIONE DEL PROGETTO QUI ESTESO E' SOGGETTA ALLA ESPRESSA AUTORIZZAZIONE SCRITTA DELL'AUTORE. (LEGGE 22.04.1941 N° 633 - DIRITTO D'AUTORE - ART.99)		COPY AND REALISATION OF THIS PROJECT CAN BE REALISED ONLY FOLLOWING TO THE WRITTEN AUTHOR'S AUTORSATION. (LAW 22.04.1941 N° 633 - COPYRIGHT - ART.99)		